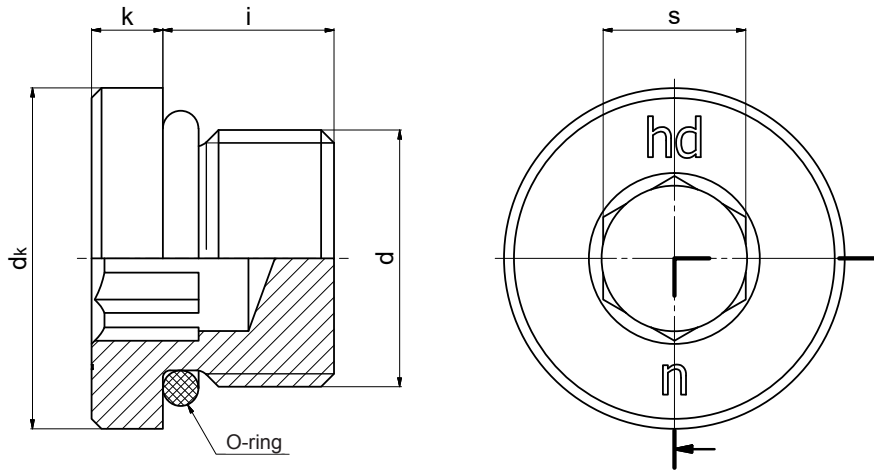


HN8-UN-OR

Sealing plug
with UNF, UN thread as per
ISO 11926 (SAEJ514)



Application areas:

- Hydraulics
- For counterbores as per ISO 11926-1
- Can be loosened and tightened repeatedly

O-ring acc. DIN 3601:

- NBR 90 Shore -30°C to +100°C (-22 F to +212 F)
- FKM 90 Shore -20°C to +200°C (-4 F to +392 F)
- Other temperature ranges upon request

Material:

- Steel 11SMnPb30+C (1.0718)
DIN EN 10227-3 ultrasonic and crack tested, or "HD-quality"
- Stainless steel 1.4305 / 1.4571
- Other materials upon request

Coating:

- Cr-(VI) free: nano passivated A3K/Zn Nano (ISO 4042)
- ZNNI as per VDA 235.104-25
- Other coatings upon request

d		k	dk	i	s	Tightening torque	Operating pressure	Weight
Thread as per ISO 11926-4							MPa	-kg per 100 pieces
Tot.-class 2A as per ANSI B11		-0,25	±0,15	±0,2	+0,13	Nm*	(1 MPa = 10 bar)	
5/16-24 UNF	—	2,75	11,1	7,5	3,18	7	41,4	0,35
3/8-24 UNF	—	2,75	12,7	7,5	3,96	14	41,4	0,61
7/16-20 UNF	—	2,9	14,3	9,1	4,76	20	41,4	0,73
1/2-20 UNF	—	2,9	15,85	9,1	5,56	27	41,4	0,96
9/16-18 UNF	—	2,9	17,45	10	6,35	45	63	1,25
3/4-16 UNF	—	3,75	22,2	11,1	7,94	85	63	2,71
7/8-14 UNF	—	3,95	25,4	12,7	9,52	110	63	4,05
—	1 1/16-12 UN	4,6	31,75	15,1	14,3	170	41,4	6,64
—	1 3/16-12 UN	4,6	34,9	15,1	14,3	235	41,4	9,40
—	1 5/16-12 UN	4,6	38,1	15,1	15,88	270	41,4	10,59
—	1 5/8-12 UN	4,6	47,6	15,1	19,05	340	25	16,95
—	1 7/8-12 UN	4,6	53,95	15,1	19,05	420	25	23,67
—	2 1/2-12 UN	4,6	69,85	15,1	19,05	510	20,7	41,55

* Recommendation for counter threads made of untempered steel. Its reaction depends on the material, coating and quality and must be verified by the customer in each specific application case!

** Screw plugs made of stainless steel can be stamped additionally with a material mark on the front face.