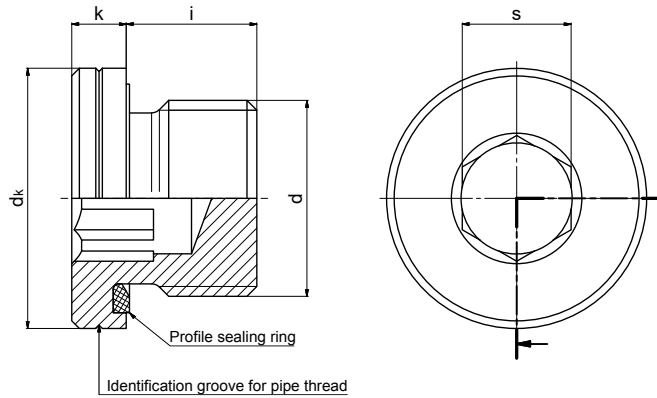


HN8-WD

Sealing plug
with elastic seal



Application areas:

- Engineering, gear manufacturing, automotive and many others
- for counter bores as per DIN 3852-2 and EN ISO 9974-1
- can be undone and screwed in repeatedly

Profile sealing ring acc. DIN 3869:

- NBR 85 Shore -30°C to +100°C (-22°F to +212°F)
- FKM 80 Shore -20°C to +200°C (-4°F to +392°F)
- other temperature ranges upon request

Material:

- Steel 11SMnPb30+C (1.0718) DIN EN 10227-3 ultrasonic and crack tested or "HD-quality"
- Stainless steel 1.4305 / 1.4571
- other materials upon request

Coating:

- Cr-(V) free: nano passivated A3K/Zn Nano (ISO 4042)
- ZNNI as per VDA 235.104-25
- other coatings upon request

d		k	dk****	i	s	Tightening torque	Operating pressure	Weight
Metric fine thread	Pipe thread	±0,3	h14	±0,2	D12	Nm*	MPa***** (1 MPa = 10 bar)	~kg per 100 pieces
DIN 13	DIN EN ISO 228							
M8 x 1	—	4	12	8	4	8	40 MPa	0,50
M8 x 1,25**	—	4	12	8	3	8	40 MPa	0,50
M10 x 1	G 1/8 A	4	14	8	5	12	40 MPa	0,68
M10 x 1,5**	—	4	14	8	4	12	40 MPa	0,68
M12 x 1**	—	5	17	12	6	25	40 MPa	1,33
M12 x 1,5	—	5	17	12	6	25	40 MPa	1,33
—	G 1/4 A	5	18,9	12	6	30	40 MPa	1,82
M14 x 1,5	—	5	19	12	6	35	40 MPa	1,90
M16 x 1,5	—	5	21,9	12	8	50	40 MPa	2,20
—	G 3/8 A	5	22	12	8	55	40 MPa	2,63
M18 x 1,5	—	5	23,9	12	8	60	40 MPa	3,13
M20 x 1,5	—	5	25,9	14	10	70	40 MPa	4,02
—	G 1/2 A	5	26,9	14	10	80	40 MPa	4,43
M22 x 1,5	—	5	27	14	10	80	40 MPa	5,00
M24 x 1,5	G 5/8 A	5	29,9	14	12	95	40 MPa	5,80
M26 x 1,5	—	5	31,9	16	12	120	40 MPa	7,52
—	M27 x 2	5	32	16	12	135	40 MPa	7,65
M28 x 1,25**	—	6,5	36,9	16	12	155	40 MPa	11,10
M30 x 1,5	M30 x 2	6,5	36,9	16	17	190	40 MPa	10,80
M33 x 1,5	M33 x 2	6,5	39,9	16	17	225	40 MPa	12,60
M42 x 1,5	M42 x 2	6,5	49,9	16	22	360	25 MPa	20,00
M42 x 1,5	M42 x 2	8	49,9	20	22	360	40 MPa	26,00
M48 x 1,5	M48 x 2	6,5	55	16	24	400	25 MPa	25,00
M48 x 1,5	M48 x 2	8	55	22	24	400	40 MPa	33,00
—	G 2 A	8	68	20	24	650	25 MPa	53,00

* Recommendation for counter threads made of untempered steel. Its reaction depends on their material, coating and quality and must be verified by the customer in case of each specific application!

** Not a common dimension but deliverable!

*** Screw plugs can be stamped with manufacturer's sign "hd" on the front face and screw plugs made of stainless steel can be additionally stamped with the material marking "A4"!

**** Values that exceed the outer diameter „dk“ due to feed scoring and/or surface coating by up to 0.1 mm are acceptable.

***** Recommendation for a maximum operating pressure under industry-standard conditions. As the behaviour depends on certain facts such as pressure increase rate, number of cycles, temperature, viscosity and mating thread strength, it must be verified by the customer if operating circumstances are exceptionally tough. We are able to support our customers, if needed.