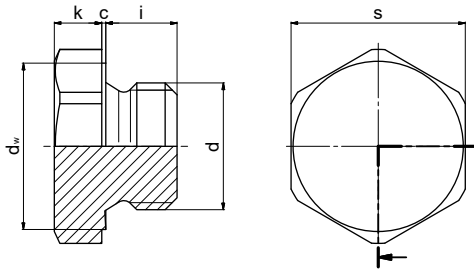


# DIN 7604

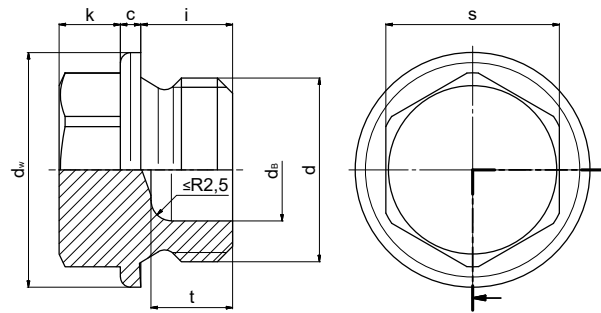
## Screw plug

with external hexagon

Screw plug up  
to thread dimension M 16 x 1.5



Screw plug from  
thread dimension M 18 x 1.5



### Application areas:

- Mechanical engineering, gear manufacturing, automotive and many others
- For counter bores as per DIN 13-5 and DIN 13-6
- Usually for use with sealing rings in acc. with DIN 7603

### Material:

- Steel 11SMnPb30+C (1.0718)  
DIN EN 10227-3 ultrasonic and crack tested or "HD-quality"
- Stainless steel 1.4305 / 1.4571
- Other materials upon request

### Coating:

- Cr-(VI) free: nano passivated A3K/Zn Nano (ISO 4042)
- ZNNI as per VDA 235.104-25
- Other coatings upon request

Form	d	c	dw	db	i	k	s	t	Weight
	Metric fine thread								
	DIN 13-5 and DIN 13-6	+0,2	h14	+0,5	±0,2	±1/2 IT15	h13	+0,6 -0,3	~kg per 100 pieces
A With short pin	M8 x 1*	0,5	12	—	6	4	12	—	0,60
	M10 x 1	0,5	14	—	6	4	14	—	0,87
	M12 x 1,5	0,5	17	—	9	6	17	—	1,92
	M14 x 1,5	0,5	19	—	9	6	19	—	2,46
	M16 x 1,5	0,5	21	—	9	6	22	—	3,34
	M18 x 1,5	2,0	23	10	9	6	17	8	2,72
	M20 x 1,5*	2,0	25	12	9	6	19	8	3,20
	M22 x 1,5	2,0	27	14	9	6	19	8	3,43
	M26 x 1,5	2,5	31	16	9	8	22	8	5,94
M30 x 1,5	2,5	36	20	9	8	22	8	6,95	
C With long pin	M8 x 1	0,5	12	—	8	4	12	—	0,65
	M10 x 1	0,5	14	—	8	4	14	—	0,96
	M22 x 1,5	2,0	27	14	12	6	19	8	4,25
	M26 x 1,5	2,5	31	16	12	8	22	10	6,85
	M30 x 1,5	2,5	36	20	12	8	22	10	8,10
	M38 x 1,5	3,0	44	26	12	8	22	10	11,80
	M45 x 1,5	3,0	52	32	12	8	24	10	16,30
	M52 x 1,5	3,0	60	38	12	8	27	10	20,50

\* This thread size is not included in DIN 7604, measurements only refer to DIN 7604.