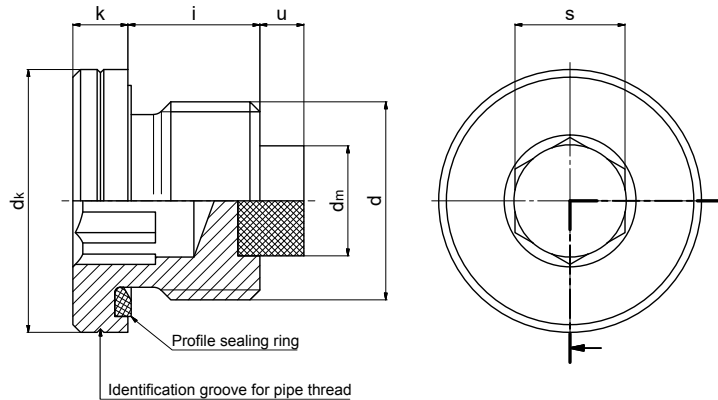


HN8-WD MAG

Screw plug w/ magnet
with elastic seal



Function:

- Ferromagnetic wear debris is extracted from inside the aggregate with the help of the magnet.

Application areas:

- Engines, gearboxes, hydraulic equipment, powertrain and many others
- for counter bores as per DIN 3852-2 and EN ISO 9974-1
- can be undone and screwed in repeatedly

Industries:

- Mechanical engineering, gear manufacturing, steel construction, chemicals, automotive and many others

Material (screw plug):

- Steel 11SMnPb30+C (1.0718) DIN EN 10227-3 ultrasonic and crack tested or "HD-quality"
- Stainless steel 1.4305 / 1.4571
- other materials upon request

Coating (screw plug):

- Cr-(VI) free: nano passivated A3K/Zn Nano (ISO 4042)
- ZNNI as per VDA 235.104-25
- other coatings upon request

Profile sealing ring acc. DIN 3869:

- NBR 85 Shore -30°C to +100°C (-22°F to +212°F)
- FKM 80 Shore -20°C to +200°C (-4°F to +392°F)
- other temperature ranges upon request

Material (magnet):

- AlNiCo
- other magnets upon request

d		k	dk****	i	s	u	dm	Weight
Metric fine thread DIN 13	Pipe thread DIN EN ISO 228	±0,3	h14	±0,2	D12	max.	±0,2	~kg per 100 pieces
M8 x 1	—	4	12	8	4	3,5*	4	0,55
M8 x 1,25**	—	4	12	8	3	3,5*	4	0,55
M10 x 1	—	4	14	8	5	3,5*	5	0,70
M10 x 1,5**	—	4	14	8	4	3,5*	5	0,70
—	G 1/8 A	4	14	8	5	3,5*	5	0,70
M12 x 1**	—	5	17	12	6	3,5*	5	1,35
M12 x 1,5	—	5	17	12	6	3,5*	5	1,35
—	G 1/4 A	5	18,9	12	6	3,5*	5	1,85
M14 x 1,5	—	5	19	12	6	3,5*	5	1,90
M16 x 1,5	—	5	21,9	12	8	3,5*	7	2,20
—	G 3/8 A	5	22	12	8	3,5*	7	2,65
M18 x 1,5	—	5	23,9	12	8	3,5*	7	3,15
M20 x 1,5	—	5	25,9	14	10	3,5*	7	4,00
—	G 1/2 A	5	26,9	14	10	3,5*	7	4,45
M22 x 1,5	—	5	27	14	10	3,5*	7	5,00
M24 x 1,5	—	5	29,9	14	12	3,5*	7	5,80
M26 x 1,5	—	5	31,9	16	12	3,5*	7	7,55
—	M27 x 2	5	32	16	12	3,5*	7	7,70
—	G 3/4 A	5	32	16	12	3,5*	7	7,70
M28 x 1,25**	—	6,5	36,9	16	12	3,5*	10	11,15
M30 x 1,5	M30 x 2	6,5	36,9	16	17	3,5*	10	10,80
M33 x 1,5	M33 x 2	6,5	39,9	16	17	3,5*	10	12,60
—	G 1 A	6,5	39,9	16	17	3,5*	10	12,60
M42 x 1,5	M42 x 2	6,5	49,9	16	22	3,5*	10	20,00
M48 x 1,5	M48 x 2	6,5	55	16	24	3,5*	10	25,00
—	G 2 A	8	68	20	24	3,5*	10	53,00

* Other magnet excess lengths upon request.

** Not a common dimension, but deliverable!

*** Screw plugs can be stamped on the face: a) with manufacturer's sign "hd" and b) if out of stainless steel, additionally with the material marking "A4"!

**** Values that exceed the outer diameter „dk“ due to feed scoring and/or surface coating by up to 0.1 mm are acceptable.