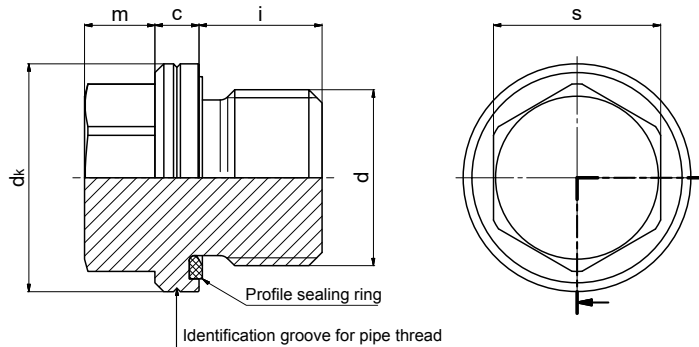


HN10-WD

Sealing plug

with elastic seal



Application areas:

- Mechanical engineering, gear manufacturing, automotive and many others
- for counter bores as per DIN 3852-2 and EN ISO 9974-1
- can be undone and screwed in repeatedly

Profile sealing ring acc. DIN 3869:

- NBR 85 Shore -30°C to +100°C (-22°F to +212°F)
- FKM 80 Shore -20°C to +200°C (-4°F to +392°F)
- other temperature ranges upon request

Material:

- Steel 11SMnPb30+C (1.0718) DIN EN 10227-3 ultrasonic and crack tested or "HD-quality"
- Stainless steel 1.4305 / 1.4571
- other materials upon request

Coating:

- Cr-(V) free: nano passivated A3K/Zn Nano (ISO 4042)
- ZNNI as per VDA 235.104-25
- other coatings upon request

d		c	dk	i	m	s	Tightening torque	Operating pressure	Weight
Metric fine thread	Pipe thread	±0,5	h14	±0,2	±0,35	h14	Nm*	MPa (1 MPa = 10 bar)	~kg per 100 pieces
DIN 13	DIN EN ISO 228								
M8 x 1	—	4	12	8	6	8	8	40 MPa	0,90
M10 x 1	—	4	14	8	6	10	12	40 MPa	1,25
—	G 1/8 A	4	13,9	8	6	10	12	40 MPa	1,30
M12 x 1,5	—	5	17	12	6	13	25	40 MPa	2,30
—	G 1/4 A	5	18,9	12	6	13	30	40 MPa	2,85
M14 x 1,5	—	5	19	12	6	13	35	40 MPa	2,75
M16 x 1,5	—	5	21,9	12	6	17	50	40 MPa	4,45
M18 x 1,5	—	5	23,9	12	8	17	60	40 MPa	5,50
M20 x 1,5	—	5	25,9	14	8	19	70	40 MPa	7,10
—	G 1/2 A	5	26,9	14	8	19	80	40 MPa	7,55
M22 x 1,5	—	5	27	14	8	19	80	40 MPa	7,85
M24 x 1,5	—	5	29,9	14	9	22	95	40 MPa	10,20
M26 x 1,5	—	5	31,9	16	10	24	120	40 MPa	13,20
—	M27 x 2	5	31,9	16	10	24	135	40 MPa	13,65
M30 x 1,5	M30 x 2	6,5	36,9	16	10	24	190	40 MPa	17,50
M33 x 1,5	M33 x 2	6,5	39,9	16	11	27	225	40 MPa	20,60
M42 x 1,5	M42 x 2	6,5	49,9	16	12	30	360	25 MPa	33,55
M48 x 1,5	M48 x 2	6,5	55	16	12	30	400	25 MPa	40,50
—	G 2 A	6,5	68	20	15	36	650	25 MPa	72,85

* Recommendation for counter threads made of untempered steel. Its reaction depends on their material, coating and quality and must be verified by the customer in case of each specific application!