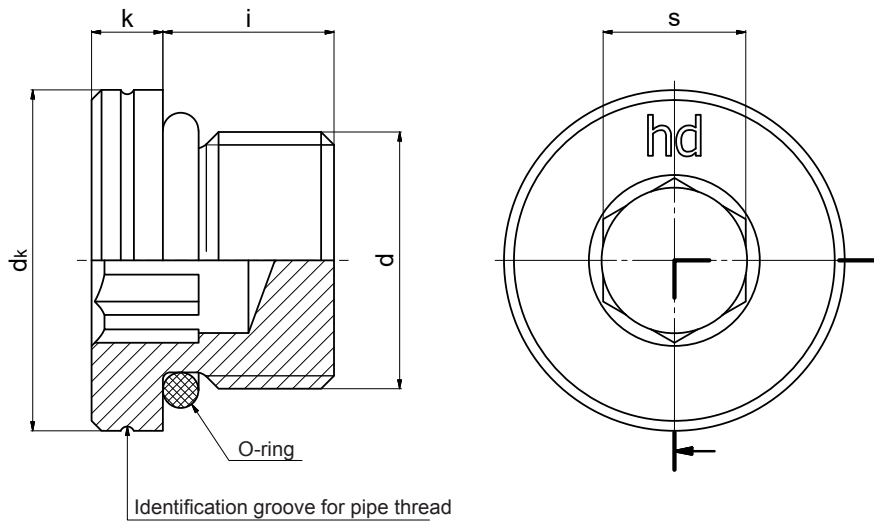


# HN8-OR

Sealing plug  
with internal hexagon and o-ring



### Application areas:

- Hydraulics
- For counterbores as per DIN 6149-1
- Can be loosened and tightened repeatedly

### O-ring acc. DIN 3601:

- NBR 90 Shore -30°C to +100°C (-22 F to +212 F)
- FKM 90 Shore -20°C to +200°C (-4 F to +392 F)
- Other temperature ranges upon request

### Material:

- Steel 11SMnPb30+C (1.0718)  
DIN EN 10227-3, ultrasonic and crack tested, or "HD-quality"
- Stainless steel 1.4305 / 1.4571
- Other materials upon request

### Coating:

- Cr-(VI) free: nano passivated A3K/Zn Nano (ISO 4042)
- ZNNI as per VDA 235.104-25
- Other coatings upon request

d		k	dk	i	s	Tightening torque	Operating pressure	Weight
Metric fine thread								
DIN 13		-0,25	±0,2	±0,2	D12	Nm*	MPa (1 MPa = 10 bar)	~kg per 100 pieces
M8 x 1	—	3,5	11,8	9,5	4	8	40	0,50
M10 x 1	—	3,5	13,8	9,5	5	15	53,2	0,70
M12 x 1,5	—	4	16,8	11	6	22	63	1,09
M14 x 1,5	—	4	18,8	11	6	45	63	1,50
M16 x 1,5	—	4	21,8	12,5	8	55	63	2,18
M18 x 1,5	—	4,5	23,8	14	8	70	63	3,82
M22 x 1,5	—	4,5	26,8	15	10	100	63	4,90
M26 x 1,5	—	4,5	31,8	16	12	150	40	7,19
—	M27 x 2	4,5	31,8	18,5	12	170	40	8,24
—	M30 x 2	5	35,8	18,5	17	215	40	10,00
—	M33 x 2	5,5	39,8	18,5	17	310	40	12,90
—	M42 x 2	5,5	49,8	19	22	330	25	21,25
—	M48 x 2	5,5	54,8	21,5	22	420	25	33,34

\* Recommendation for counter threads made of untempered steel. Its reaction depends on the material, coating and quality and must be verified by the customer in each specific application case!

\*\* Screw plugs made of stainless steel can be stamped additionally with a material mark on the front face.